



22768.24

System and Method For Providing  
Infra-Red Signals Over Power Lines

1/3

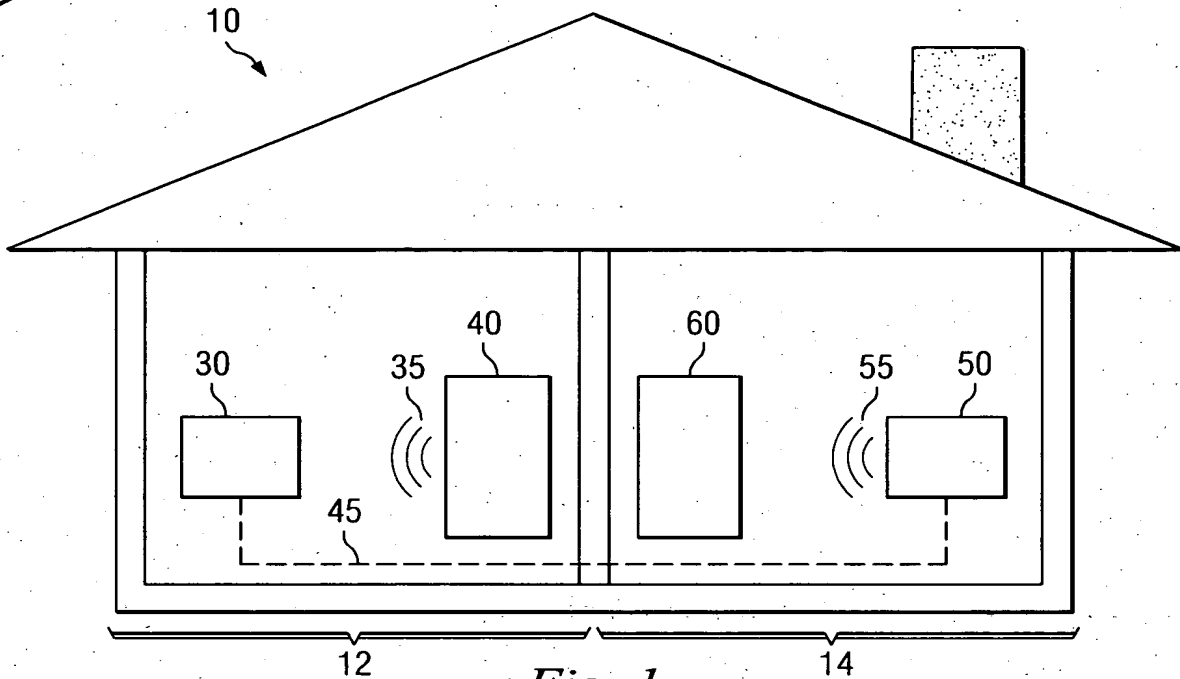


Fig. 1

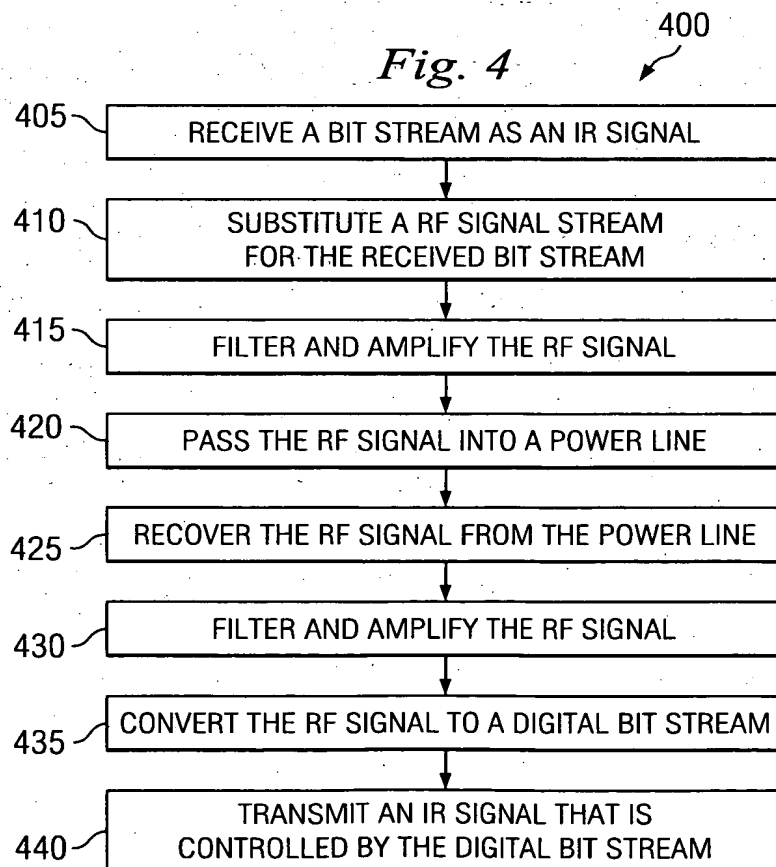


Fig. 4

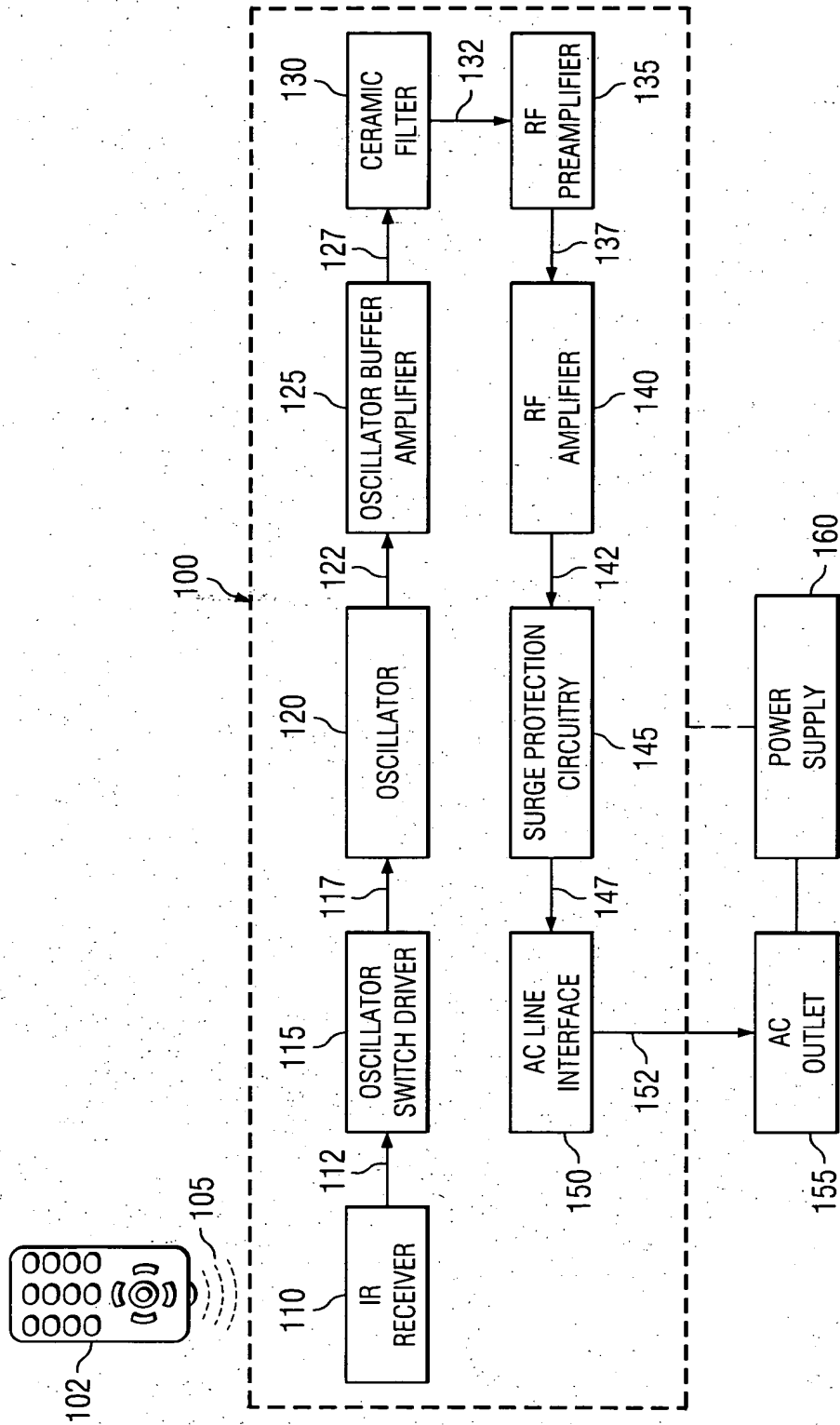


Fig. 2

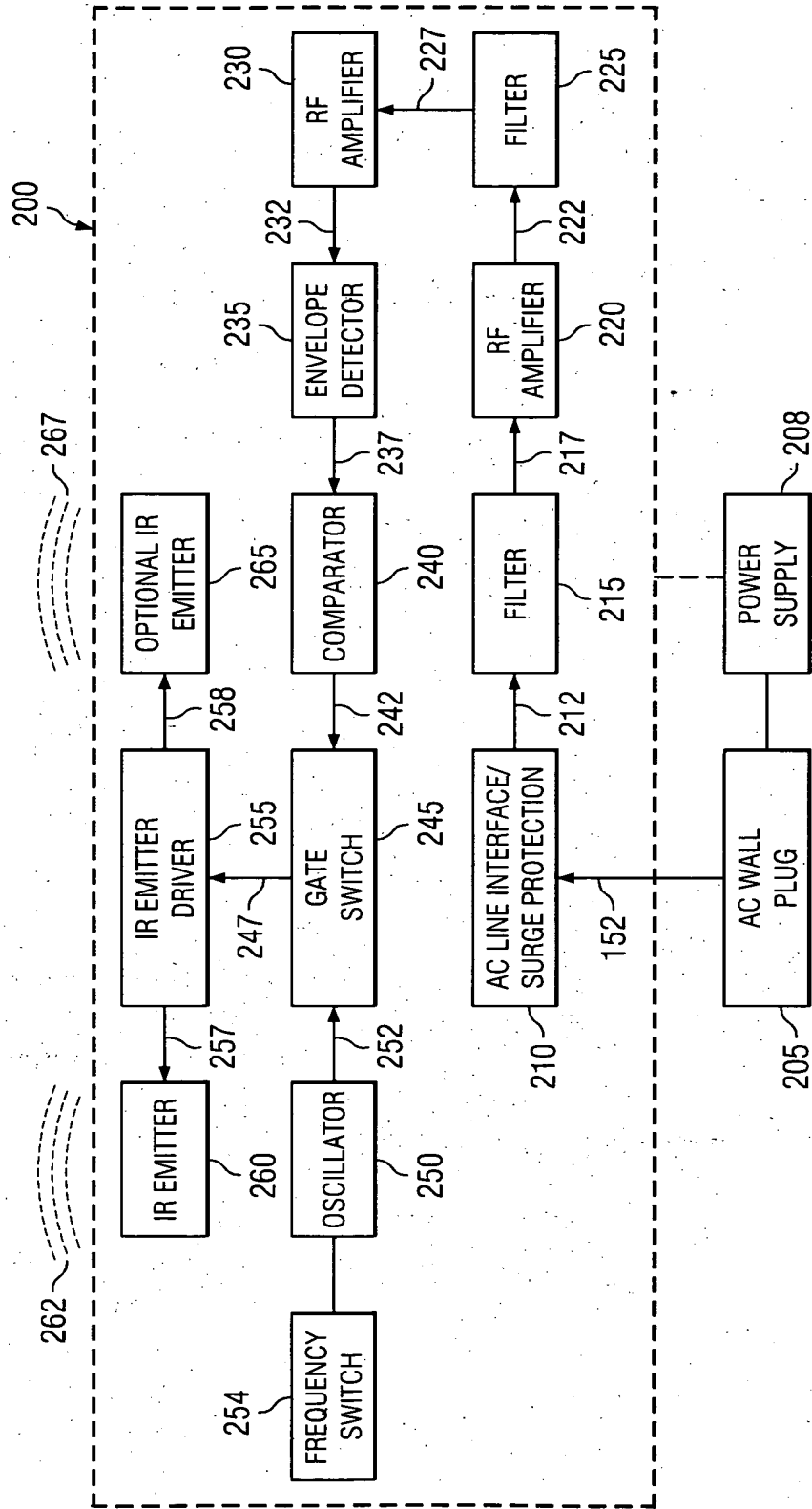


Fig. 3